

- NOTES**
- ALL FLOOD DEFENCE ALIGNMENTS AND DETAILS SHOWN ARE INDICATIVE.
- KEY**
- NEW FLOOD DEFENCE WALL
  - NEW FENCE TO MATCH EXISTING
  - METRES ABOVE ORDNANCE DATUM

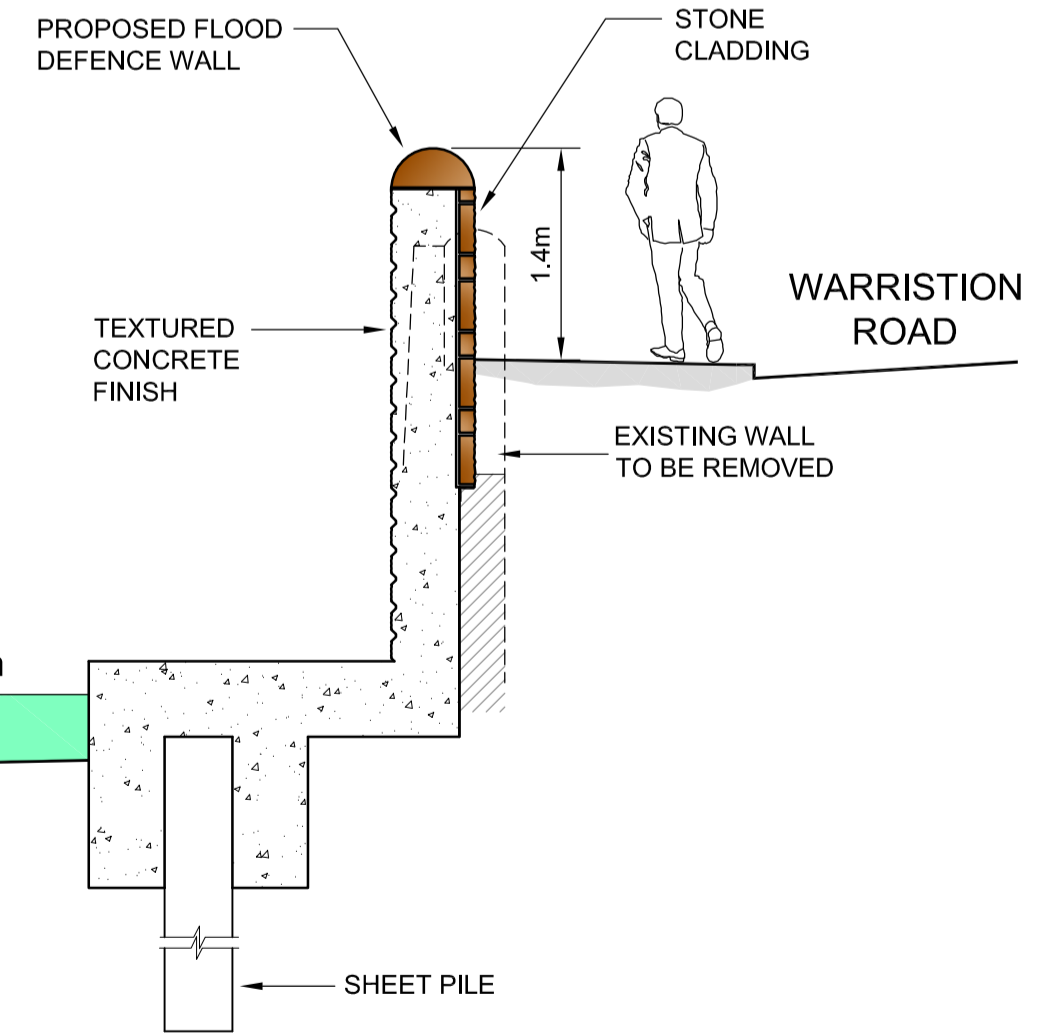
NEW FLOOD DEFENCE HEIGHT 1.4m ABOVE THE FOOTPATH

NEW FLOODWALL TIES INTO THE VIADUCT

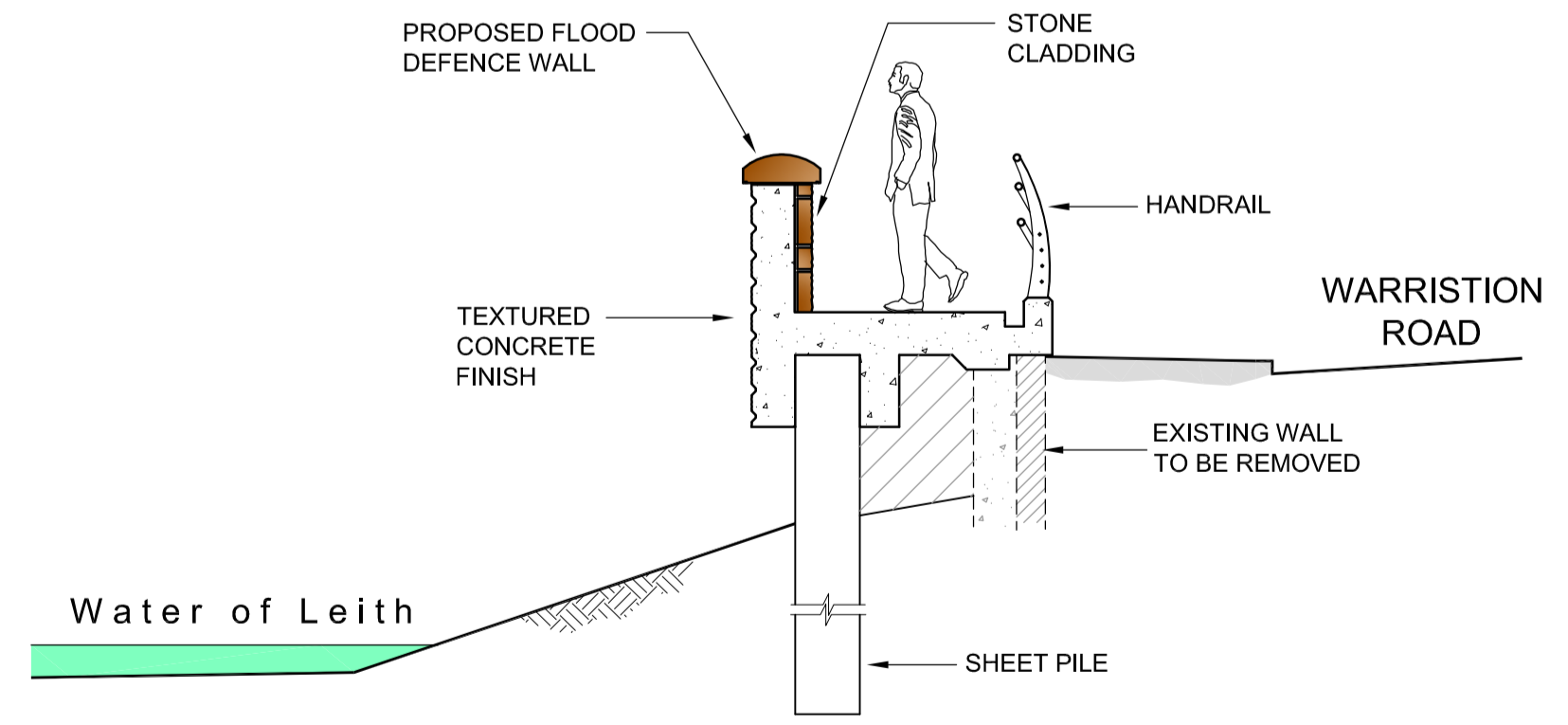
EXISTING RIVERWALL REMOVED AND NEW FLOODWALL BUILT ON THE SAME LINE. THE WALL HEIGHT ABOVE THE FOOTPATH VARIES FROM 1.1m TO 2.0m

NEW PUMPING STATION

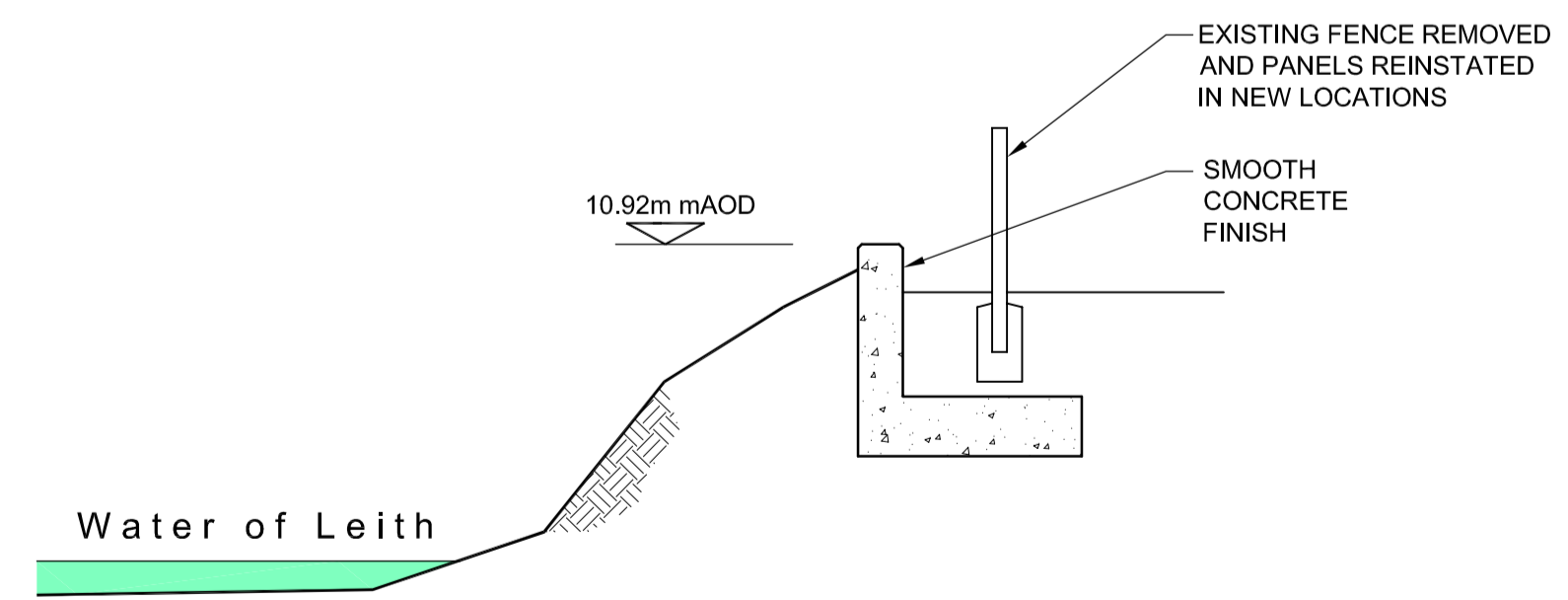
NEW PEDESTRIAN RAMP TO BRIDGE



**SECTION A - A**  
THROUGH NEW FLOODWALL RUNNING PARALLEL TO WARRISTON ROAD



**SECTION B - B**  
THROUGH NEW FLOODWALL RUNNING PARALLEL TO WARRISTON ROAD



**SECTION C - C**

B 1

# St. Mark's Park - Powderhall

Issue	Date	By	Chkd	Appd
A	24/03/11	BM	SR	GB

**ARUP**

5th Floor, 225 Bath Street,  
Glasgow, G2 4GZ  
Tel +44 (0)141 332 8534 Fax +44 (0)141 332 3739  
www.arup.com

Client  
**EDINBURGH**  
THE CITY OF EDINBURGH COUNCIL

**FLOOD PROTECTION**

Job Title  
**WATER OF LEITH FLOOD PREVENTION SCHEME**

Drawing Title  
**PROPOSED WORKS ST. MARK'S PARK - POWDERHALL**

Scale at A1 Plan NTS, Sections 1:50

Drawing Status  
**INFORMATION**

Job No	Drawing No	Issue
69240	B1	A