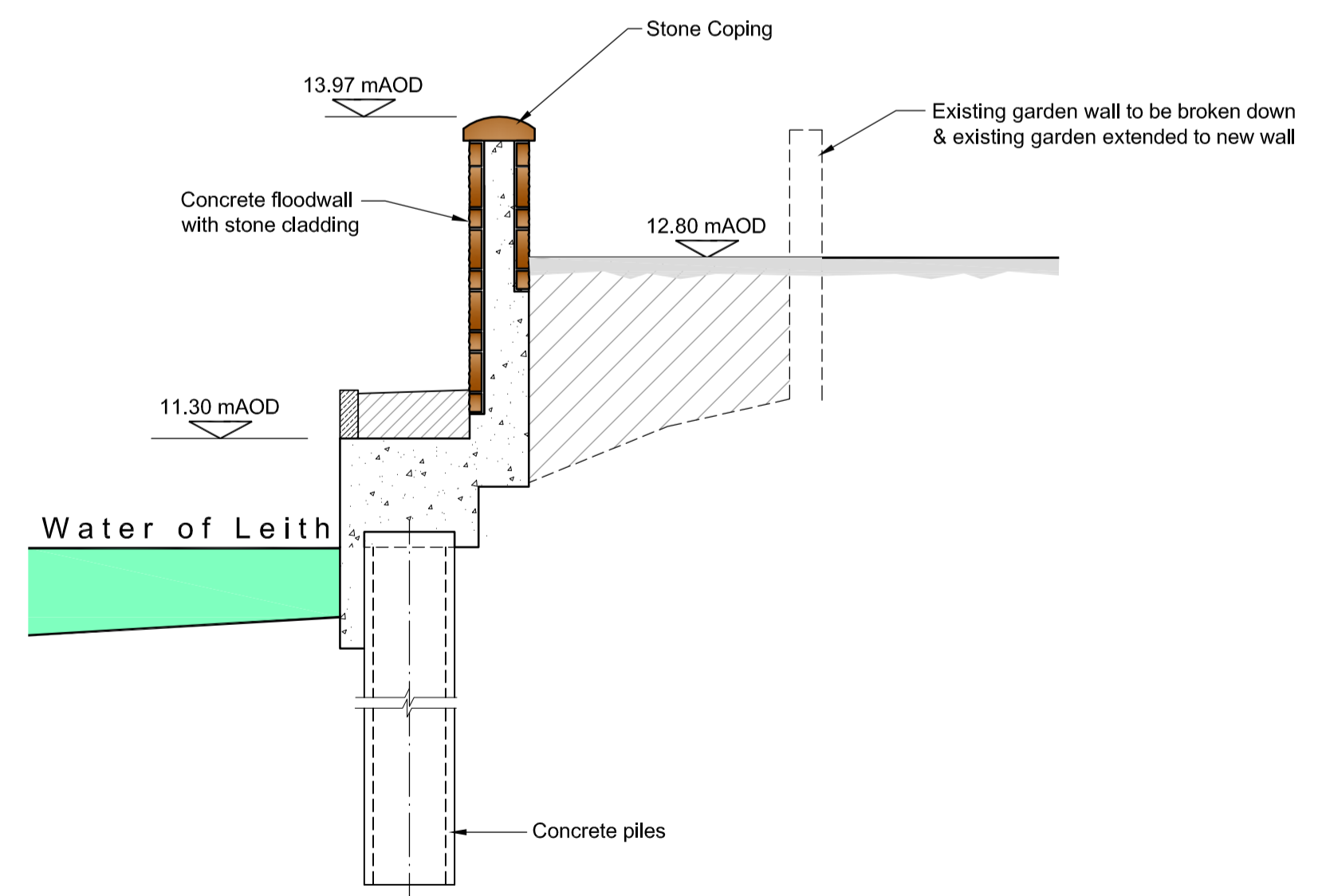
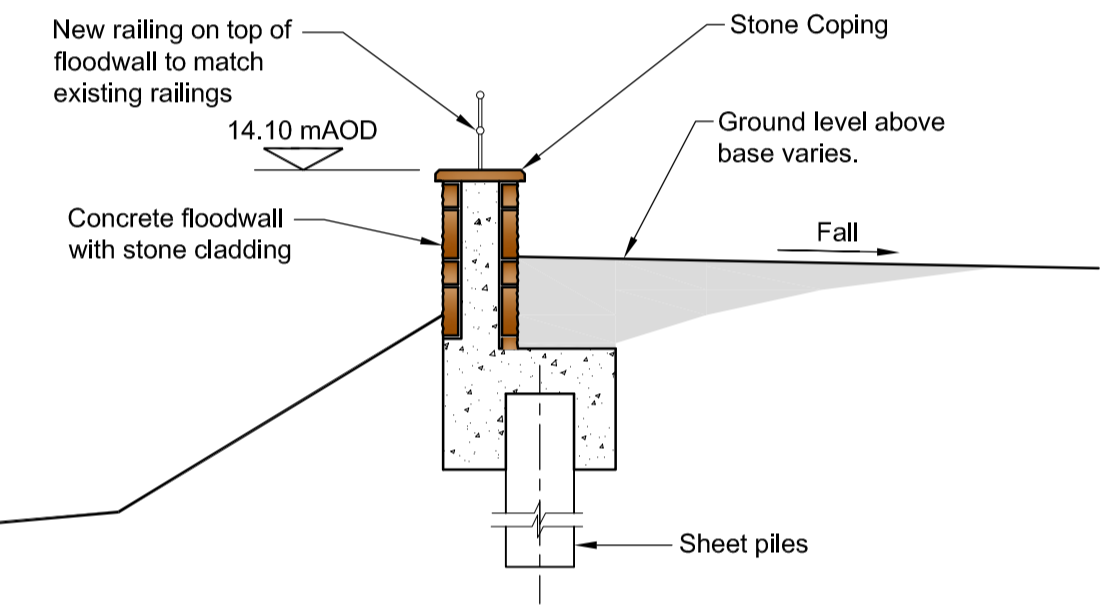


**NOTES**  
 1. ALL FLOOD DEFENCE ALIGNMENTS AND DETAILS SHOWN ARE INDICATIVE.

**KEY**

- NEW FLOOD DEFENCE WALL
- RAISED GROUND LEVEL
- mAOD - METRES ABOVE ORDINANCE DATUM



Issue	Date	By	Chkd	Appd
A	29/03/11	BM	SR	GB

**ARUP**  
 5th Floor, 225 Bath Street,  
 Glasgow, G2 4GZ  
 Tel: +44 (0)141 332 8534 Fax: +44 (0)141 332 3739  
 www.arup.com

Client  
**EDINBURGH**  
 THE CITY OF EDINBURGH COUNCIL

**FLOOD PROTECTION**

Job Title  
**WATER OF LEITH  
 FLOOD PREVENTION SCHEME**

Drawing Title  
**PROPOSED WORKS  
 THE STOCKBRIDGE COLONIES  
 SHEET 1 OF 2**

Scale at A1 Plan 1:500, Sections 1:50

**INFORMATION**

Job No	Drawing No	Issue
69240	D1	A

**D 1**

# The Stockbridge Colonies